

SILTSACK SEDIMENT CAPTURE DEVICE

INLET PROTECTION



Are you looking for a cost-effective, easy way to stop sediment from entering catch basins on construction sites? Siltsack is the simple and economical solution to protecting storm drains from construction runoff.

Siltsack is a temporary catch basin filter that removes sediment, trash and debris from entering a catch basin. Available in both high flow and regular flow, Siltsack can be manufactured with built-in curb deflectors and overflow holes.

Routine inspection of a Siltsack's collected sediment level is important to prevent "ponding" around storm drains.

ADVANTAGES:

- Made to fit any size inlet
- Easy to Install and economical
- US Patented
- Custom sizes available
- Undergrate design so it is not easily disturbed
- Type B, Type C Adjustable Frame, and Floc Model available
- Type D Fixed Frame models available



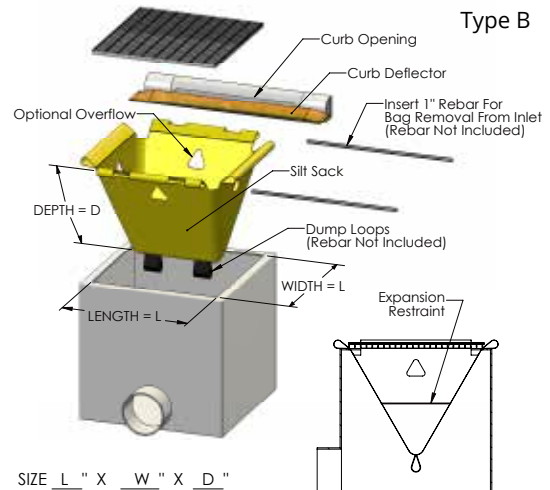
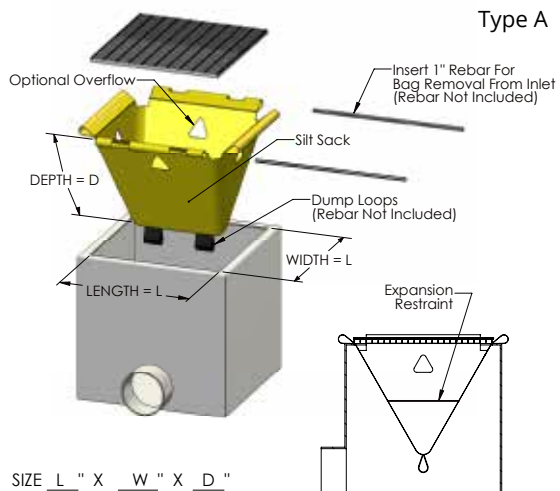
Type A - Installed.



Type C - Adjustable hanging frame. Adjusts from 16x24 to 24x36.



Type D - Installed.



SPECIFICATIONS

1.0 Description

1.1 This work shall consist of furnishing, installing, maintaining, and removing Siltsack sediment control device as directed by the engineer or as shown on the site drawings.

2.0 Materials

2.1 Siltsack®

2.1.1 Siltsack shall be manufactured from a specially designed woven polypropylene geotextile and sewn by a double needle machine, using a high strength nylon thread.

2.1.2 Siltsack will be manufactured to fit the opening of the catch basin or drop inlet. Siltsack will have the following features: two dump straps attached at the bottom to facilitate the emptying of Siltsack; Siltsack shall have lifting loops as an integral part of the system to be used to lift Siltsack from the basin; Siltsack shall have a restraint cord approximately halfway up the sack to keep the sides away from the catch basin walls, this yellow cord is also a visual means of indicating when the sack should be emptied. Once the cord is covered with sediment, Siltsack should be emptied, cleaned and placed back into the basin.

Siltsack Regular Flow

Property	Test Method	Units	Typical Roll Value
			Test Results
Grab Tensile	ASTM D4632	lbs.	281x170
Grab Elongation	ASTM D4632	%	16x7
Puncture Strength	ASTM D6241	lbs.	1005
Trapezoid Tear	ASTM D4533	lbs.	85x61
AOS	ASTM D4751	US Sieve	30
Flow Rate	ASTM D4491	gal/min/ft ²	38.5
Permittivity	ASTM D4491	sec ⁻¹	0.51

SILTSACK® High Flow

Property	Test Method	Units	Typical Roll Value
			Test Results
Grab Tensile	ASTM D4632	lbs.	274x237
Grab Elongation	ASTM D4632	%	27x12
Puncture Strength	ASTM D6241	lbs.	754

SILTSACK® High Flow (cont.)

Property	Test Method	Units	Test Results
Trapezoid Tear	ASTM D4533	lbs.	63x56
AOS	ASTM D4751	US Sieve	20
Flow Rate	ASTM D4491	gal/min/ft ²	250
Permittivity	ASTM D4491	sec ⁻¹	3.45

3.0 Construction Sequence

3.1 General

3.1.1 To install Siltsack in the catch basin, remove the grate and place the sack in the opening. Hold approximately six inches of the sack outside the frame. This is the area of the lifting straps. Replace the grate to hold the sack in place.

3.1.2 When the restraint cord is no longer visible, Siltsack is full and should be emptied.

3.1.3 To remove Siltsack, take two pieces of 1" diameter rebar and place through the lifting loops on each side of the sack to facilitate the lifting of Siltsack.

3.1.4 To empty Siltsack, place unit where the contents will be collected. Place the rebar through the lift straps (connected to the bottom of the sack) and lift. This will lift Siltsack from the bottom and empty the contents. Clean out and rinse. Return Siltsack to its original shape and place back in the basin.

3.1.5 Siltsack is reusable. Once the construction cycle is complete, remove Siltsack from the basin and clean. Siltsack should be stored out of sunlight until next use.

4.0 Basis of Payment

4.1 Payment for all Siltsacks used during construction is to be included in the bid price for the overall erosion and sediment control plan unless unit price is requested. Maintenance of Siltsack also to be included in this price.

*Siltsack is covered by U.S. Patent No. 5,575,925.

SIMILAR PRODUCTS IN THIS FAMILY:

GRATEGATOR



SEDI BAG



DRAIN GUARD

